

1

2

3

4

5

A

A

Sheet: 475kHz Pre Driver



File: 475kHz-PA-01.sch

Sheet: 475kHz PA Final



File: 475kHz-PA-02.sch

B

B

C

C

1

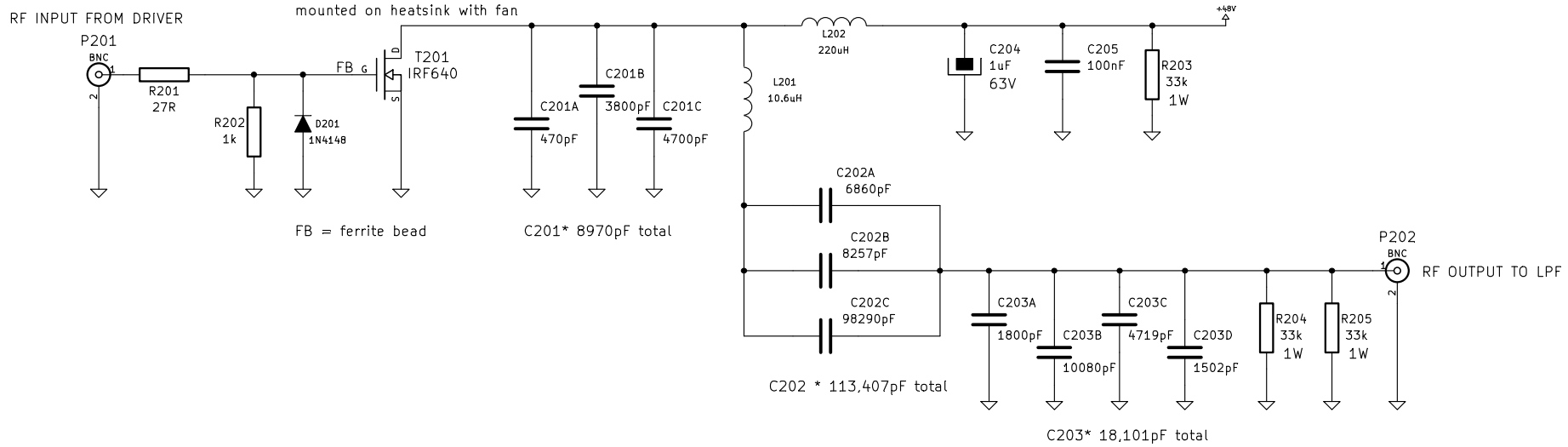
2

3

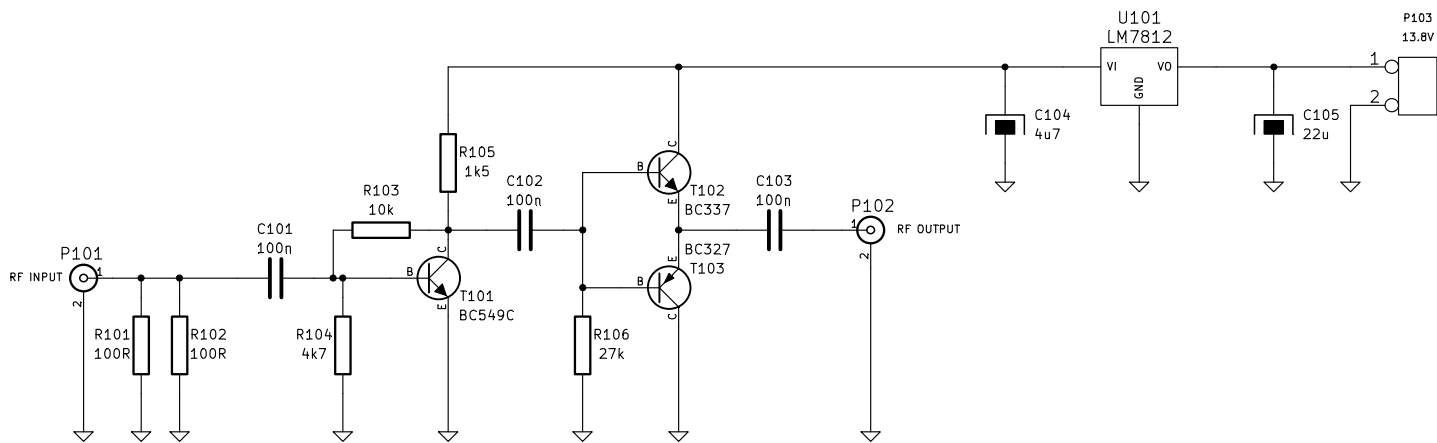
4

5

File: 475kHz-100W-PA.sch		
Sheet: /		
Title:		
Size: A4	Date: 26 aug 2017	Rev:
KiCad E.D.A. eeschema (2011-11-27 BZR 3249)-stable		Id: 1/3



Drawn by SGSpirat		
File: 475kHz-PA-02.sch		
Sheet: /475kHz PA Final/		
Title: 475kHz 100W PA Final circuit		
Size: A4	Date: 26 aug 2017	Rev: 1.0a
KiCad E.D.A. eeschema (2011-11-27 BZR 3249)-stable		Id: 2/3



Drawn by SGSpirat		
File: 475kHz-PA-01.sch		
Sheet: /475kHz Pre Driver/		
Title: 475kHz Pre-driver circuit		
Size: A4	Date: 26 aug 2017	Rev: 1.0a
KiCad E.D.A. eeschema (2011-11-27 BZR 3249)-stable		Id: 3/3